

# PICKUP TRUCK

*Please read complete plan and instructions before building truck.*

## **DO NOT ALTER THE SPECIFICATIONS OF THE TRUCK.**

The specifications are as follows~Width: 7cm(2 3/4"); Weight: Not to exceed 142 grams(5 ounces); Width, between wheels: 4.5cm(1 3/4"); Bottom clearance between car and track: .95cm(3/8")

## **Assembly**

- Step 1: Cut out cardboard side templates, as shown in drawing.
- Step 2: Mark the 6mm(1/4") sides (#4); then cut out wheel area.
- Step 3: Drive axles into pine base (#1), within 6mm(1/4") of head.
- Step 4: Remove axles using pliers (See figure #1).
- Step 5: Glue body block (#2) to pine base (#1).
- Step 6: Glue cut out sides (#4) to the side of the truck body.
- Step 7: Install wheels and axles.
- Step 8: Glue die-cut sides (#5) in place. Be sure wheels turn freely.
- Step 9: Remove wheels and axles.
- Step 10: Glue truck front (#9) and bumper (#10) in place.
- Step 11: Glue truck cab (#3) in place.
- Step 12: After glue is dry, sand body to your design.
- Step 13: Glue parts #6, #7, and #8 in place.
- Step 14: Sand entire model to a smooth finish. You are now ready to paint.  
(see instructions below).

## **Painting**

- Step A: Apply several coats of sanding sealer, then sand entire car with a fine-grade sandpaper.
- Step B: Give the model at least two coats of fast-drying paint in the colour of your choice.
- Step C: When the paint is completely dry, sand with a fine sandpaper, apply a final coat of paint and allow to dry thoroughly.
- Step D: *THE FINISH*; Apply decals to the truck. Rub entire Truck with a rubbing compound. Apply a coat of auto wax and rub to a high gloss finish.

## **Wheel Assembly**

- Step E: Pre-lubricate axles and wheels using dry powdered lubricate.
- Step F: Do not use regular oil or silicon, since this may soften the plastic.
- Step G: Slide wheels over axles, then gently tap them into the truck body grooves with a 6mm(1/4") dowel or a similar object to within 1mm(1/32") of the truck body.
- Step H: Make sure wheels turn freely.

*Over for Further Instructions and Drawings.*

# PICKUP TRUCK

Please read complete plan and instructions before building truck.

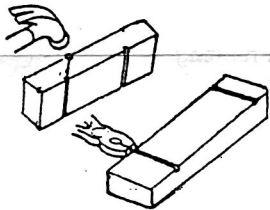
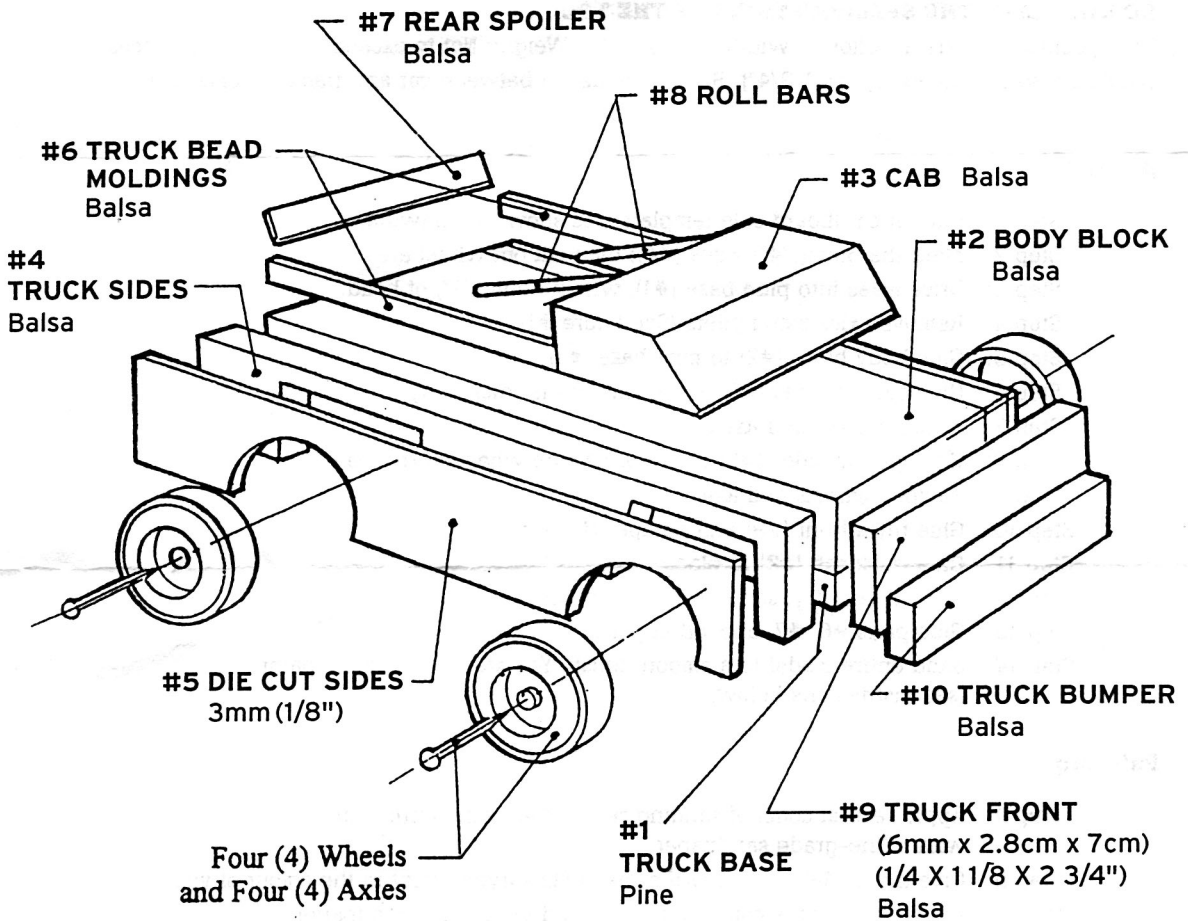


FIGURE 1

Please note that these measurements may not necessarily be precise conversions and will therefore be subject to reasonable interpretation.

CUT  
OUT

# SIDE TEMPLATE

# 11

FRONT

CUT  
OUT