

# The Kubkar Kit

**C**ongratulations on your purchase of the Kubkar kit. For more than three decades, children and adults have experienced the pride and excitement that comes with creating and demonstrating their own unique Kubkar. Adults, who as children discovered the fun and challenge of the Kubkar kit, can relive the feeling both by sharing the memories (and advice) and by observing the same enjoyment in their children's faces.

## Specifications

### WIDTH

Overall width including wheels is not to exceed 7 centimeters or 2 3/4 inches. The minimum distance between the wheels is 4.5 centimeters or 1 3/4 inches.

### LENGTH

Overall length is not to exceed 17.8 centimeters or 7 inches.

### WEIGHT

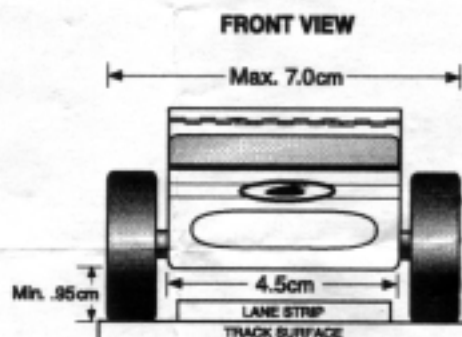
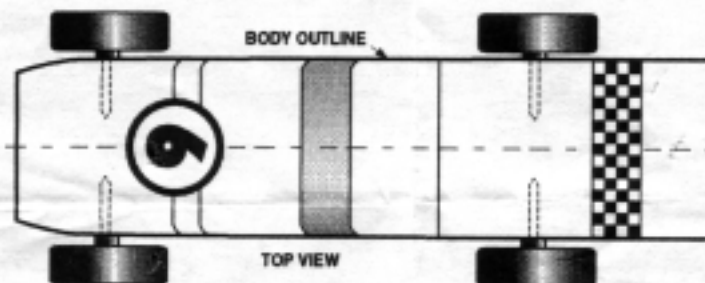
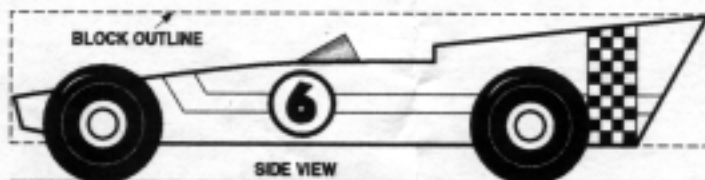
Overall weight is not to exceed 142 grams or 5 ounces.

### HEIGHT

Clearance between the chassis and the track should be .95 centimeters or 3/8ths of an inch.



*Please note that these measurements may not necessarily be precise conversions and will therefore be subject to reasonable interpretation.*



## Restrictions

Wheel Bearings, washers and bushings are prohibited. The car shall not ride on springs. Details and attachments may be added providing they are securely fastened and do not exceed the maximum length, width, height and weight specifications. The car must be free-wheeling and may only be propelled by the force of gravity. Kubkars are subject to inspection by an official inspection committee to determine eligibility.

## Building Guidelines

Mark your chosen design on the top and sides of the block. Carefully carve or cut to the desired shape. Sand smooth. Paint, stain and/or finish as desired, preferably with water-based treatments. Insert axle through the wheel and force into slots provided. The wheels should spin freely. Racers may wish to lubricate axles and wheels using (dry) powdered graphite.

## Options and Accessories

Check your local Scout Shop and/or the official Scouts Canada catalogue for Kubkar accessories and presentation items.

